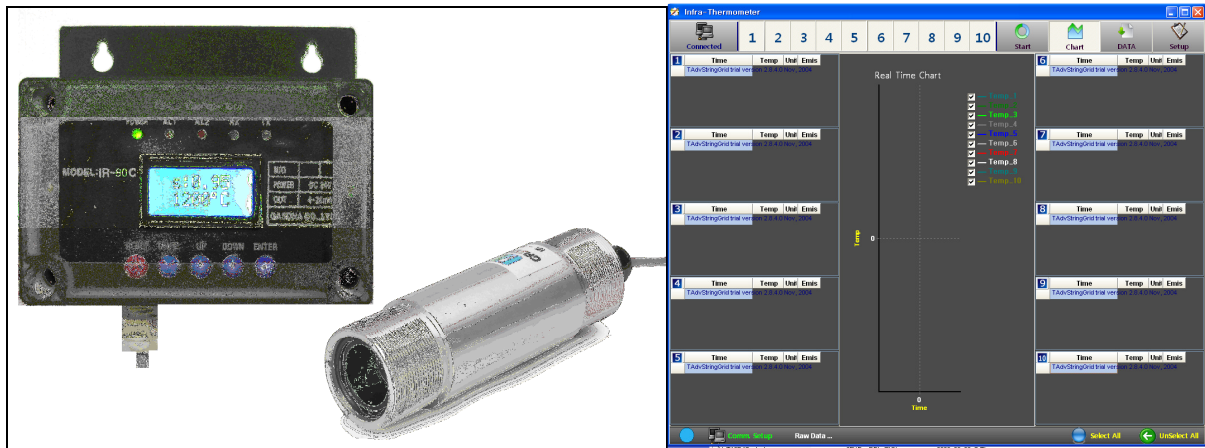


# Non-Contact Infrared Temperature Sensor/Transmitter



**Temperature Range: 500~1700 °C**

## IR – 80



### 1. FEATURES

IR-80 non-contact infrared thermometer measures the infrared wavelength emitted from the target and converts it to standard current signal output (4~20mA) and RS-485 communication signal output.

IR-80 is composed of sensor & controller. The measured temperature is displays on LCD of controller in real-time.

It can measure from 500 °C to maximum 1700°C in the distance of 80:1 D:S (Distance to Spot). Emissivity is 0.10 ~ 0.99 adjustable. Two built-in laser pointers can aim at the target.

#### ※ Applications:



Aluminum, Chrome, Copper, Metal, Magnesium, Oxide-nickel, Platinum, Gold, Silver, Oxided-Titanium, Zinc, Tin, Steel, Oxided- Steel, Oxided-Brass

## 2. Ordering information

Code Number IR-80-□-□-□

MODEL	Description
IR-80	
Code A	Temperature Range
1	500~1500 °C
2	500~1700 °C
Z	Other
Code B	OutPut
M	0~20mA
N	4~20mA
V	Voltage Output(DC 1~5V)
Code C	Cable Length
1	3m Cable
Z	Other

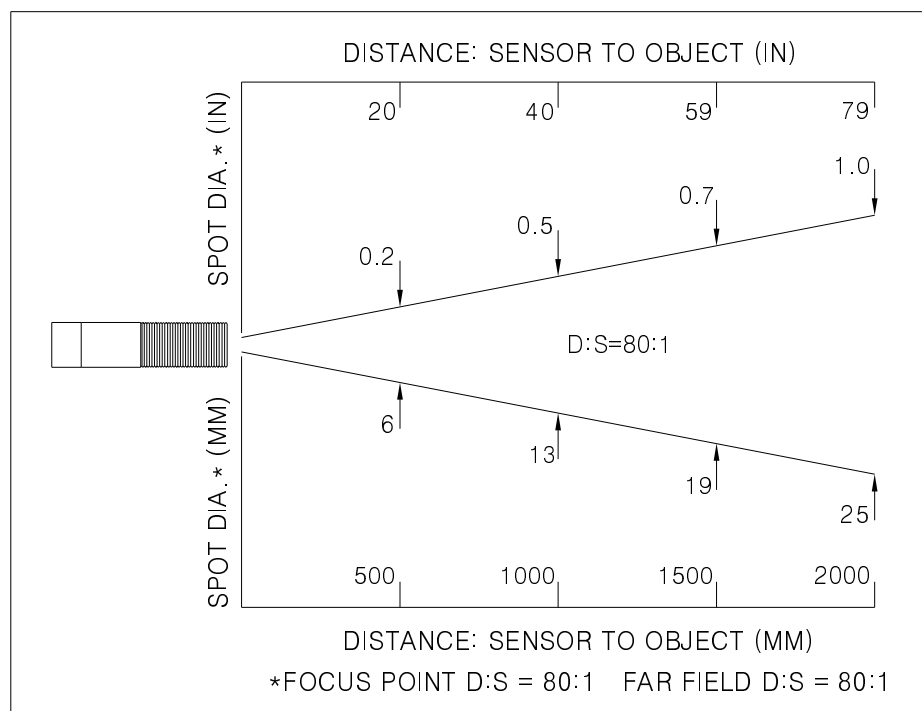
## 3. Accessories

Description	Shape	Usage	Remark
Fixing nut		Sensor fixing nut	Basic accessory
Mounting bracket		Sensor mounting bracket	Basic accessory

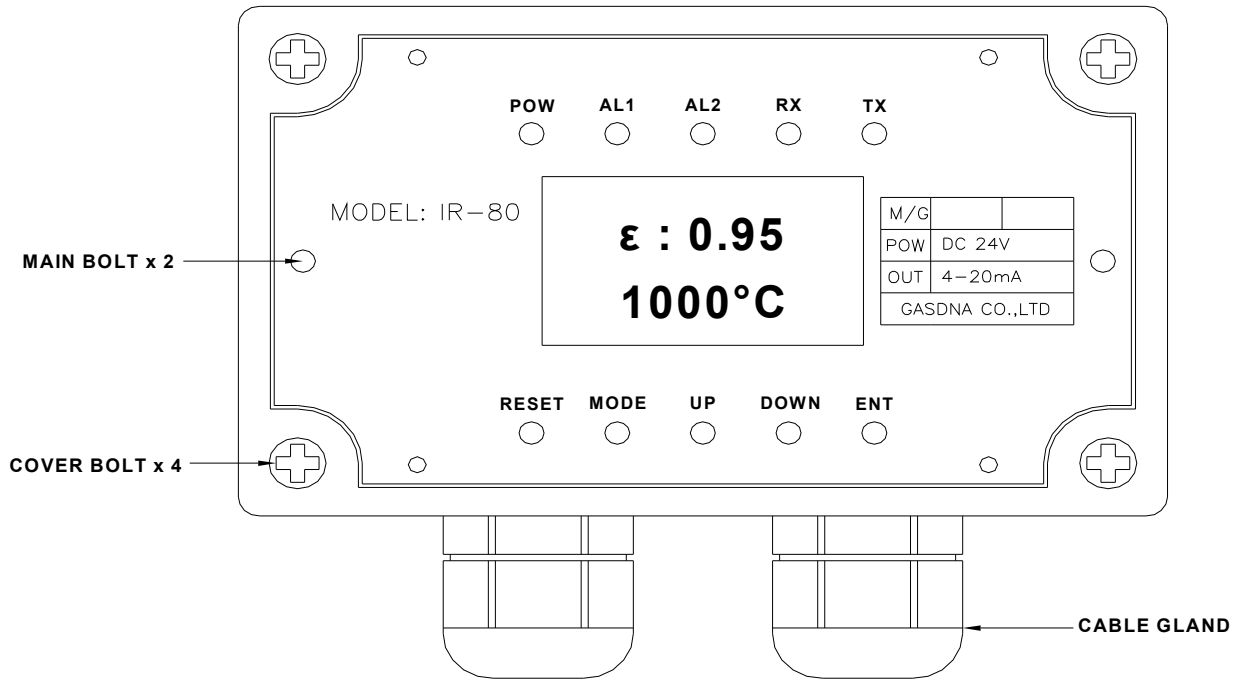
## 4. SPECIFICATIONS

Segment	Specification
Temperature Range	500~1700℃
Device	InGaAs, Silicon
Accuracy	±1% / full scale or 2℃
Repeatability	±1% of reading
Field of View(D:S)	80:1
Optical spectrum wave	1~1.6 $\mu$ m
Responsive Time	100msec or below
Emissivity rate	0.10~0.99
Analog Output	4~20mA, 1~5V(option)
Communication output signal	RS-485 communication signal
Relay Output	2 step- Relay Contact (High/Low)
Power	DC 12~24V(Max 100mA)
Ambient temperature(no water cooling)	0~70℃
Temperature Resolution	0.1℃
Operating Relative Humidity	5~90%
Storing Ambient Temperature	-30~85℃
Waterproof	IP65,NEMA 4
Laser pointer	630~670nm(red)
Dimensions	Sensor: $\varnothing$ 46 ×125.5(L) Controller: 105.5(W) x 130(L)
Signal Cable	4 wire shield type
Casing material	Aluminum Alloy
Weight	850g
Cable length	3m(standard), other(option)

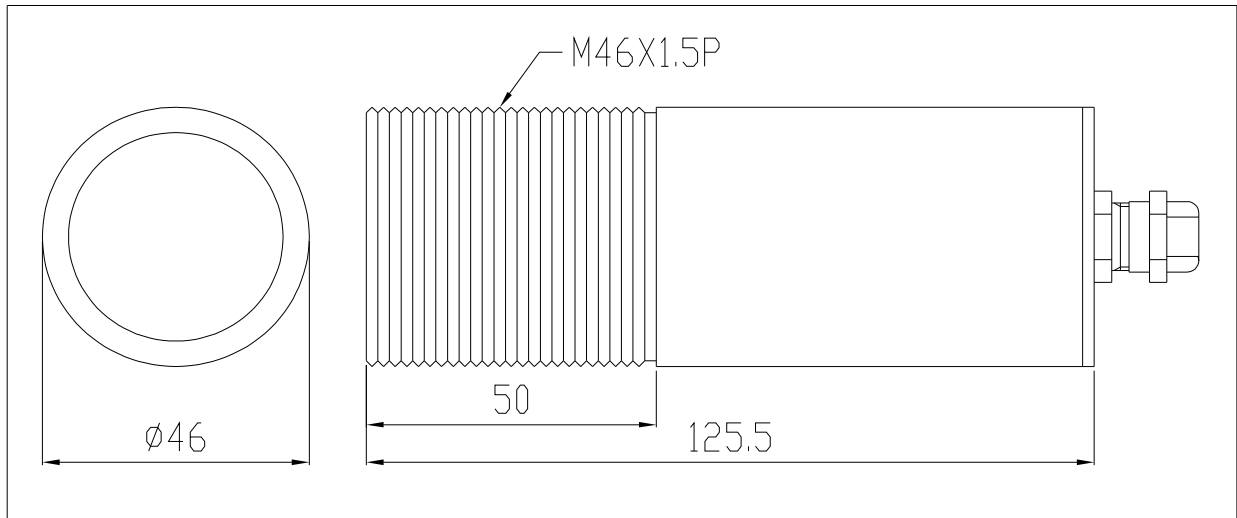
## 5. OPTICAL FIELD OF VIEW (D:S = 80:1)

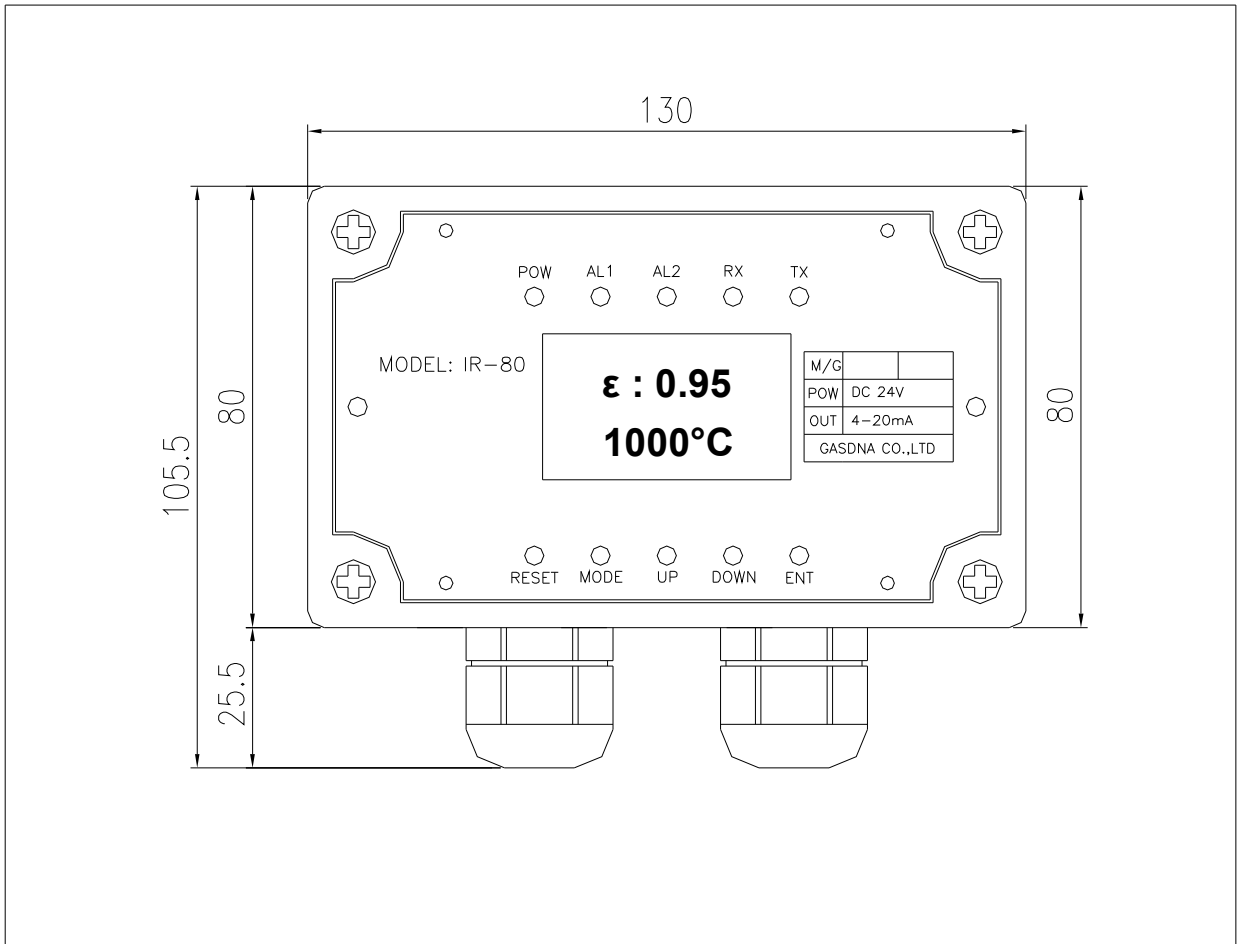


## 6. Controller Overview

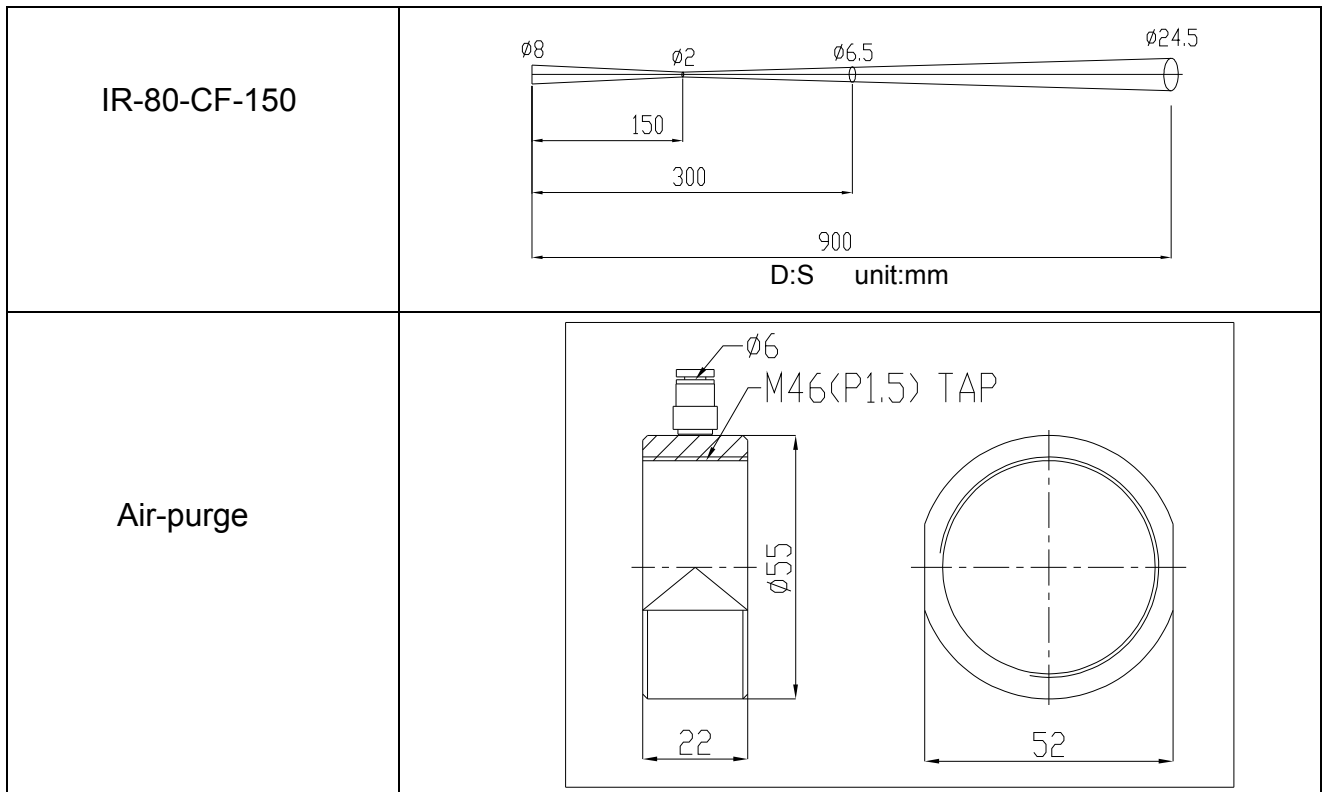


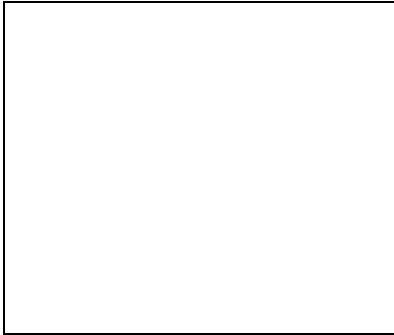
## 8. DIMENSION



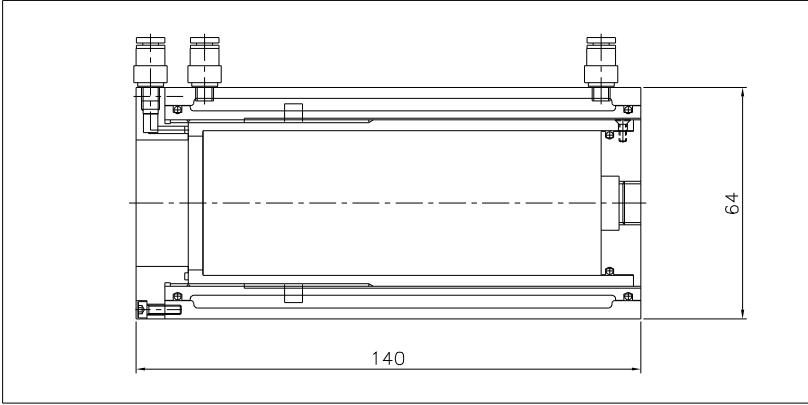


## 12. OPTION

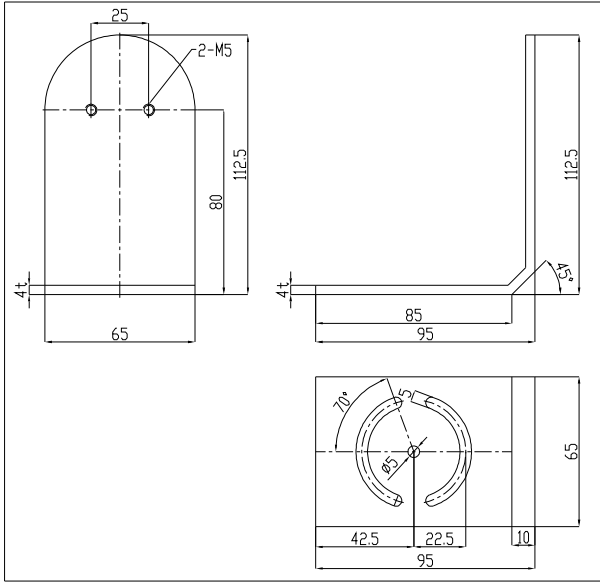




Air/Water Cooler



Up and down adjustable Bracket



	
485 To RS232 converter	
Indicator (Model No. DI-20)	
2 Inch LED Display	



**GasDNA Co.,Ltd**  
 C-910C, Bupyeong Woolim Lion's Valley, #425, Cheongcheon-Dong, Bupyeong-Gu,  
 Incheon, Korea  
**TEL: +82-32-623-7507 FAX: +82-32-623-7510**  
**E-mail: [sales@gasdna.com](mailto:sales@gasdna.com) | Web: [www.gasdna.com](http://www.gasdna.com)**